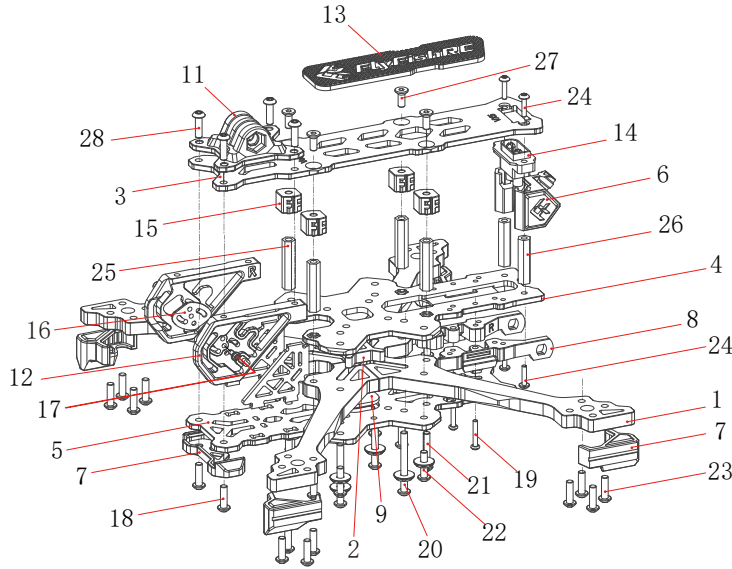


VOLADOR II

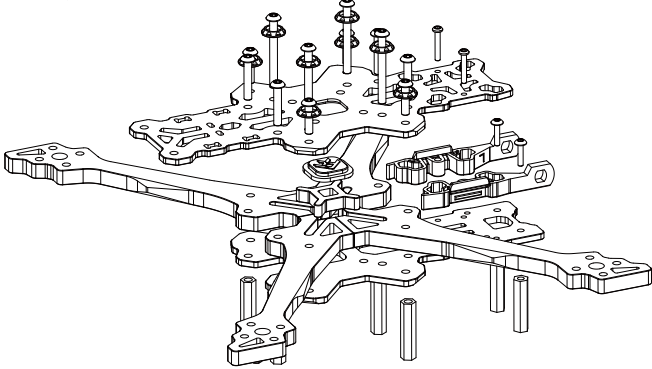
VX5/VX6 Frame instructions



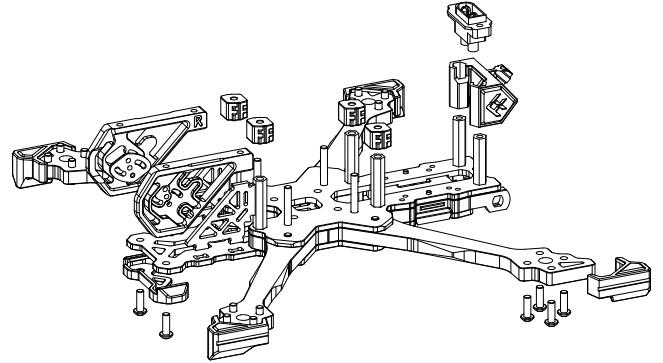
- | |
|-----------------------------------|
| 1. 6mm Arm x4 |
| 2. 5mm Keystone x1 |
| 3. 2.5mm Top Plate x1 |
| 4. 2.5mm Middle Plate x1 |
| 5. 2.5mm Bottom Plate x1 |
| 6. Antenna TPU x1 |
| 7. Arm Guard TPU x4 |
| 8. 915 Antenna TPU x2 |
| 9. Silicone LED Logo x1 |
| 10. Front Bumper TPU x1 |
| 11. GoPro Base Mount x1 |
| 12. CNC Camera Mount x2 |
| 13. Battery Anti-Slip Pad x1 |
| 14. XT60EW-M Connector x1 |
| 15. Al.standoff Ratchet TPU x4 |
| 16. Silicone Vibration Dampers x2 |
| 17. M2*5 Screw x4 |
| 18. M3*8 Screw x6 |
| 19. M2*12 Screw x2 |
| 20. M3*28 Screw x4 |
| 21. M3*16 Screw x4 |
| 22. M3*12 Screw x8 |
| 23. M3*9 Screw x16 |
| 24. M2.5*9 Screw x4 |
| 25. M3*23 Hex Al.Standoff x4 |
| 26. M2.5*20 Hex Al.Standoff x2 |
| 27. M3*8 Countersunk Screw x4 |
| 28. M3*10 Screw w/Damping Ring x4 |

- | |
|-------------------------|
| Additional Parts: |
| 1. Battery Strap x2 |
| 2. FlyFishRC Sticker x1 |

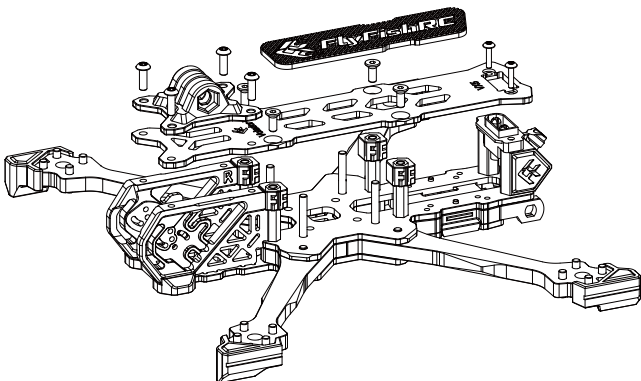
1/4



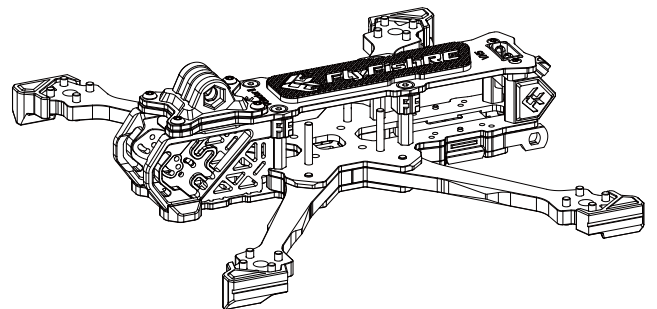
2/4



3/4

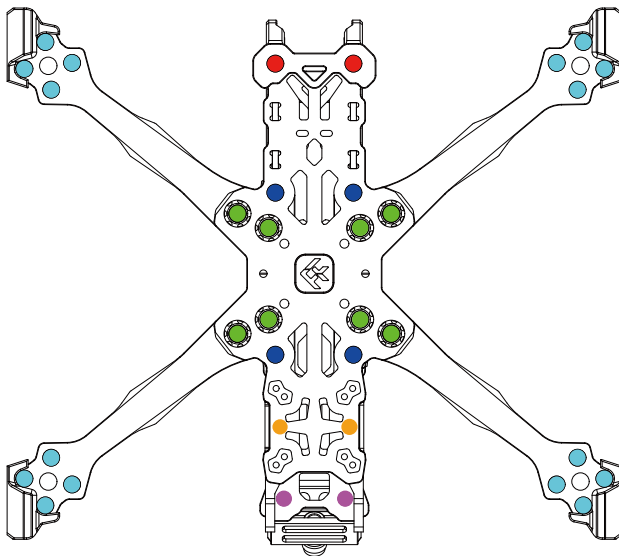
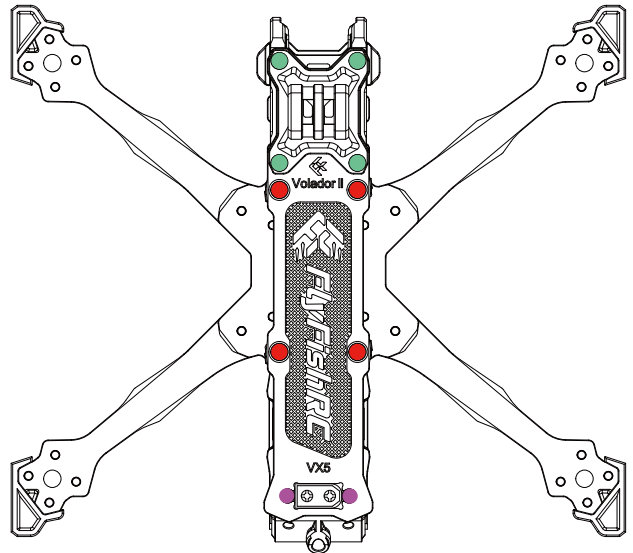


4/4



Top mounting diagram

- M3*8 screw x10
- M2.5*9 screw x4
- M3*10 screw w/damping ring x4
(If not install Gopro base, change to M3*8)



Bottom mounting diagram

- M3*8 screw x10
- M3*12 screw x8
- M3*16 screw x4
- M2.5*9 screw x4
- M3*10 screw x16
- M2*12 screw x2

