

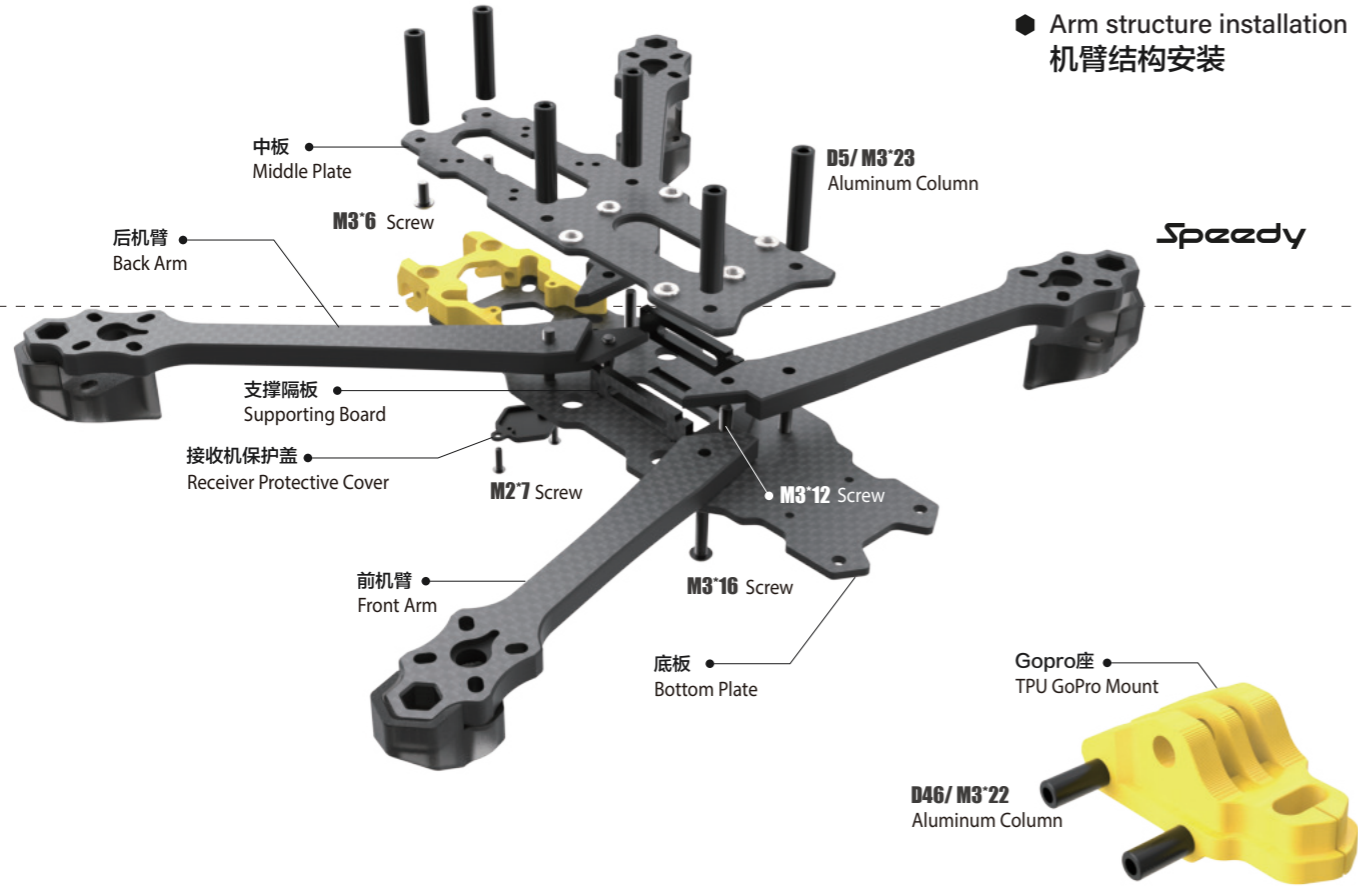
MARIO 5

机架安装指引

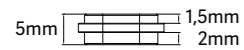
Installation

*(Note: 3D effect requirements, the actual object shall prevail)

*(注: 3D效果需求, 具体以实物为准)

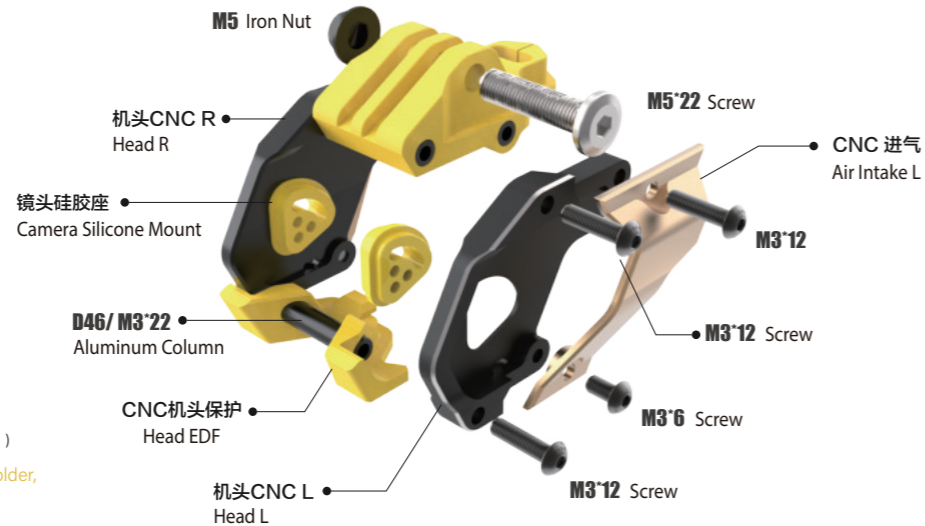


2 CNC head installation CNC机头安装

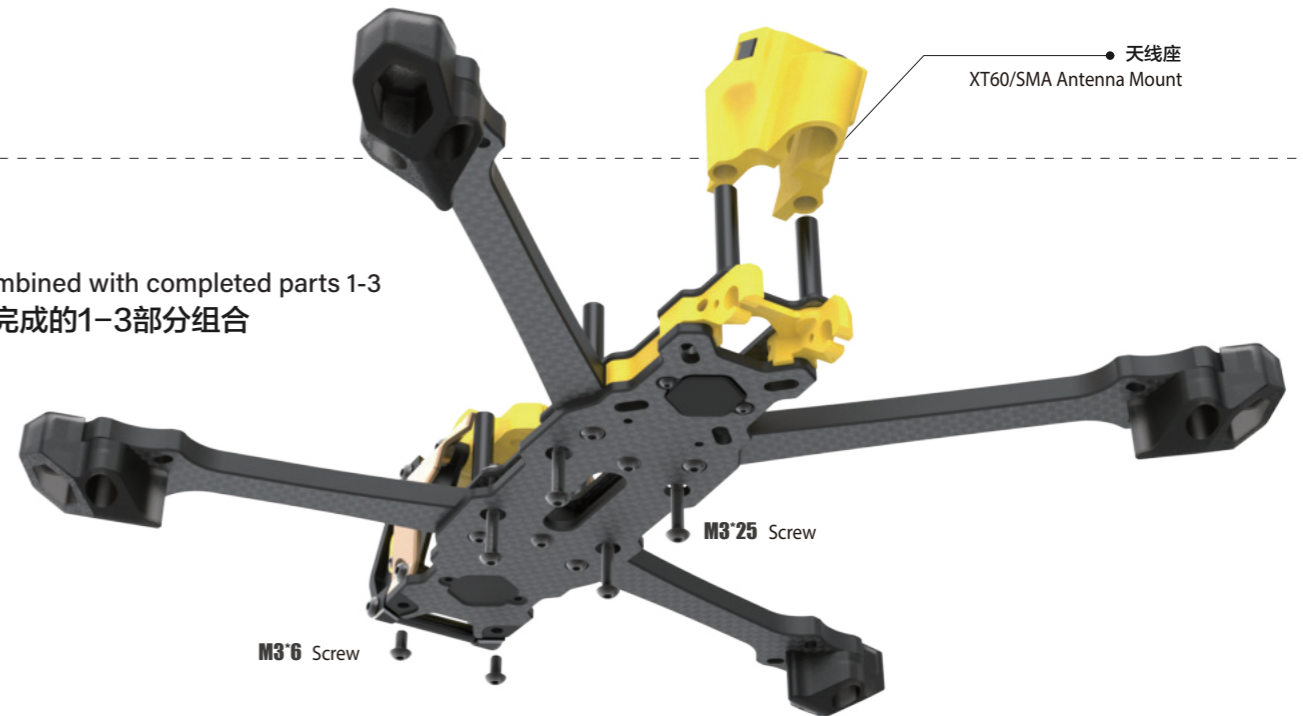


(注: 双面安装硅胶镜头座, 支持19、20mm两种规格。)

*(Note: Double sided installation of silicone lens holder, supporting two sizes of 19 and 20mm)

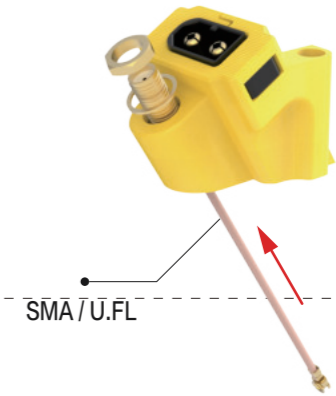


4 Combined with completed parts 1-3 与完成的1-3部分组合



3

Installation of VTX antenna 图传天线安装



(注: 将会持续设计开源不同的使用需求。)

(Note: Ongoing design and open-source for diverse usage.)

GPS/SMA*2



XT60/SMA*2



XT60/SMA

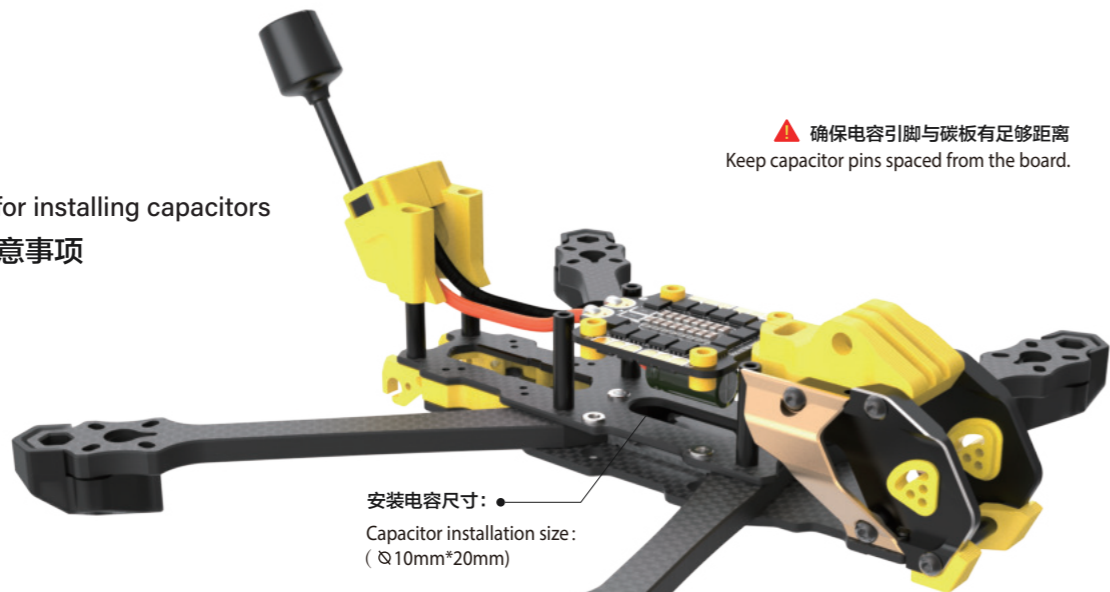


天线座 XT60/SMA Antenna Mount

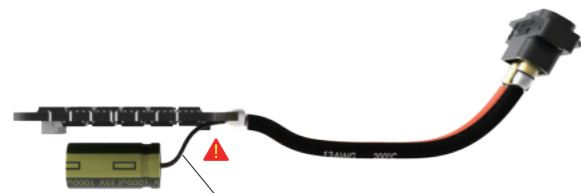
5

Precautions for installing capacitors
安装电容注意事项

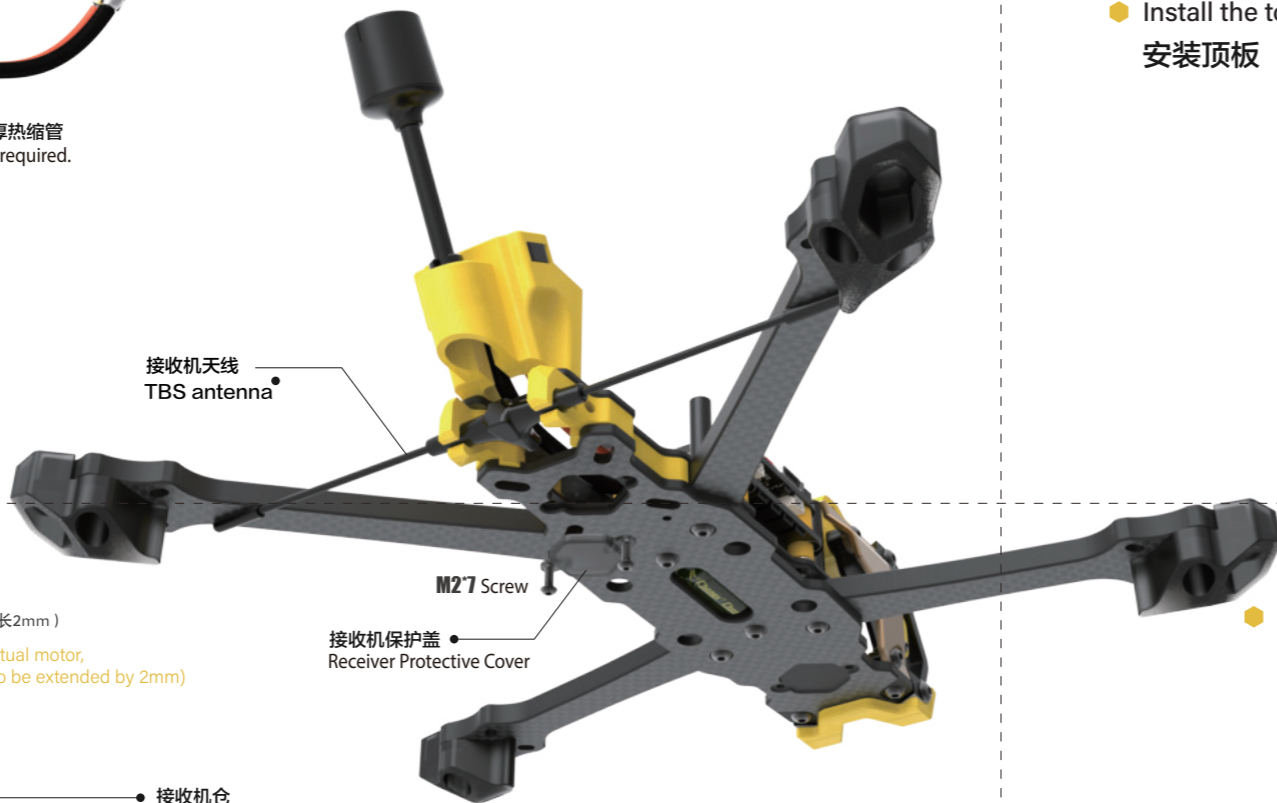
▲ 确保电容引脚与碳板有足够距离
Keep capacitor pins spaced from the board.



安装电容尺寸:
Capacitor installation size:
(Φ10mm*20mm)



引脚必须加厚热缩管
Extra-thick heat shrink tubing required.



接收机天线
TBS antenna

M27 Screw

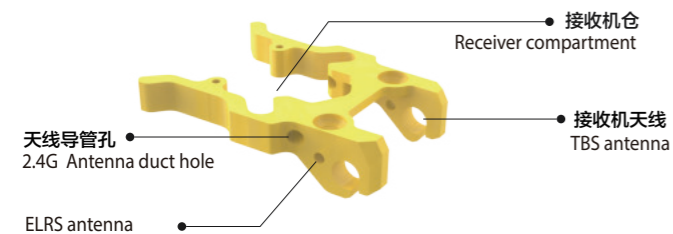
接收机保护盖
Receiver Protective Cover

6

Installing receiver antenna
安装接收机天线

*(注: 螺丝长度以电机实际为准, 电机保护座端螺丝需加长2mm)

*(Note: The length of the screw is based on the actual motor, and the screw for motor protective mount needs to be extended by 2mm)



接收机仓
Receiver compartment

接收机天线
TBS antenna

天线导管孔
2.4G Antenna duct hole

ELRS antenna

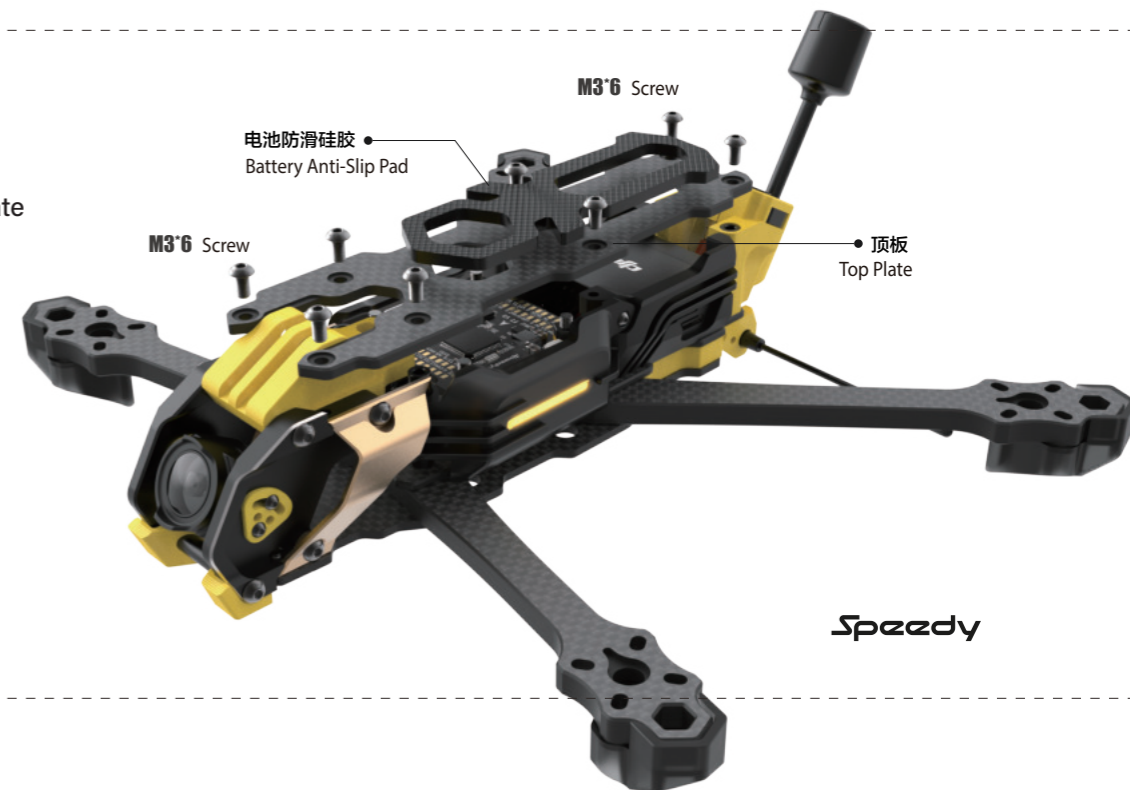
拆下底部4颗螺丝
Remove the bottom 4 screws

O3散热侧板
DJI O3 CNC heat dissipation

M1.6*8 Screw

8

Install the top plate
安装顶板



M3*6 Screw

电池防滑硅胶
Battery Anti-Slip Pad

M3*6 Screw

顶板
Top Plate

Speedy

请扫描二维码获取安装指南
建议您通过SpeedyBee App 扫描以获取更详细的安装指南

Scan the QR code to get the installation guide.
We recommend you scan it through the SpeedyBee App for detailed instructions.



SpeedyBee APP



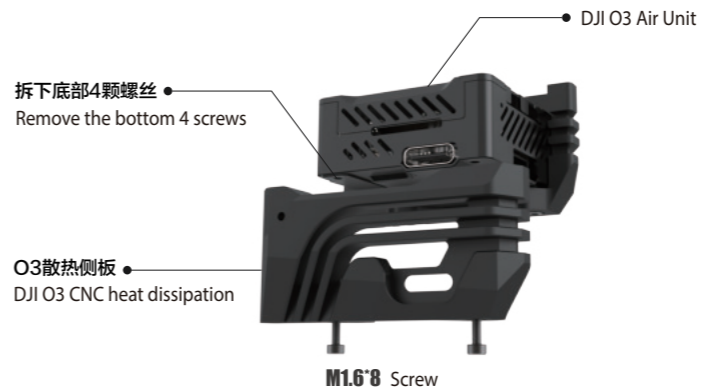
Installation guide



Facebook QR Code

7

DJI O3 Air Unit Installation Method
DJI O3 Air Unit 安装方式



DJI O3 Air Unit

M1.6*8 Screw